

Axial Bearing AL

Technical information



Axial bearing AL
for ball screws

Free of Play

AL axial bearing for ball screws

With the development of the high-precision and therefore backlash-free Temco AL axial bearings, Temco has designed solutions specifically for use in small ball screws. The easy-to-mount series is suitable for all applications where axial forces have to be supported.

Application range

The AL series is designed for the bearing support of small ball screws under high loads. The backlash-free and maintenance-free design of the axial bearings is the prerequisite for maximum positioning accuracy.

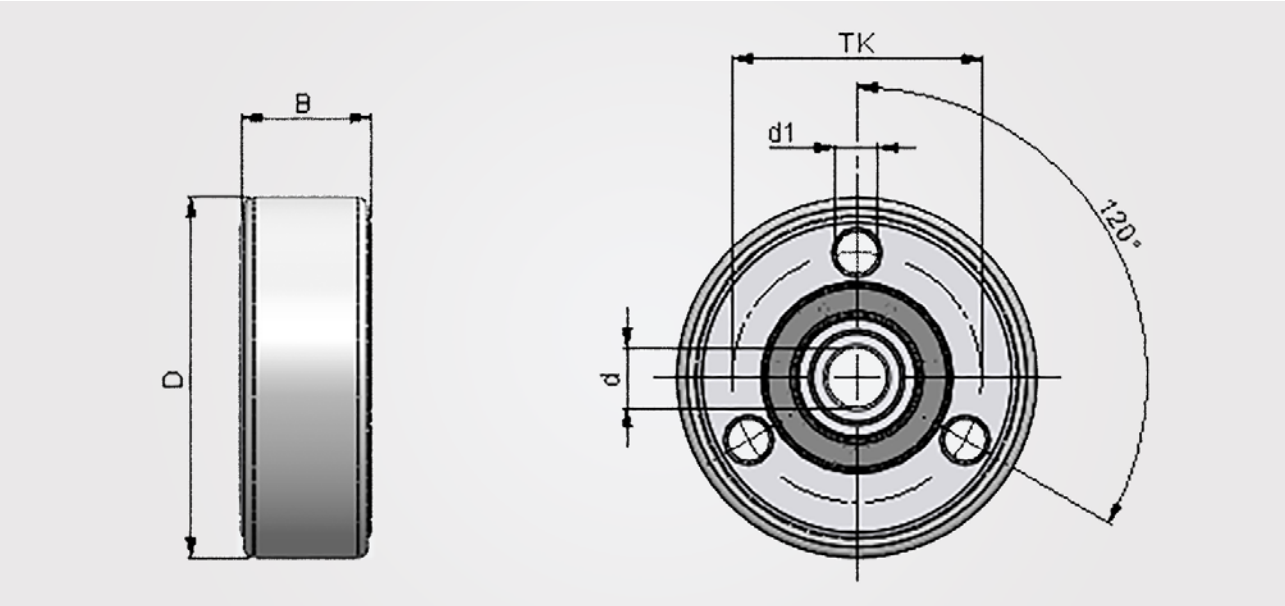
The main task of the AL3613-00 and AL3613-01 is to support the axial forces caused by the translatory movements of the linear slide.



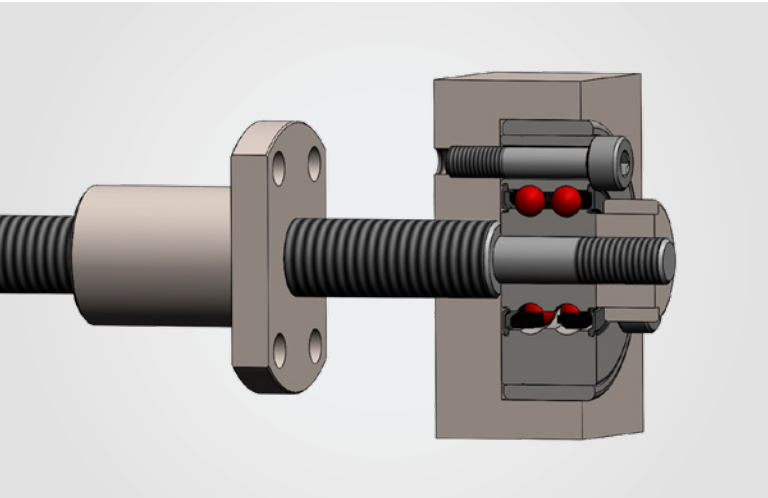
Key performance factors

- Without axial bearing clearance
- Easy mounting in the housing due to the flange holes
- Unrestricted use up to 6 000 1/min
- integrated bearing technology for very smooth running
- Considerably longer operating life
- Corrosion-resistant
- Maintenance-free
- Lubricated for life

Product figure and overview



Type	D [mm]	d [mm]	B [mm]	TK [mm]	d1 [mm]	Max. speed [rpm]	Dyn. load rating (axial) [kN]	Dyn. load rating (radial) [kN]	Axial stiffness [N/ μ m]
AL3613-00	$\varnothing 36$	$\varnothing 6$	13	$\varnothing 30$	$3 \times \varnothing 4,3$	6 000	3,0	4,9	51
AL3613-01	$\varnothing 36$	$\varnothing 8$	13	$\varnothing 30$	$3 \times \varnothing 4,3$	6 000	3,0	4,9	51



Installation example: threaded spindle with bearing arrangement



Rieter Components Germany GmbH

Temco

Fuldaer Straße 19
97762 Hammelburg
Germany

T +49 (0)9732 87 0
info@temco.com

www.temco.de

The data and illustrations in this brochure and on the corresponding data carrier refer to the date of printing. Temco reserves the right to make any necessary changes at any time and without special notice. Temco systems and Temco innovations are protected by patents.

3510-v1 en 2206