

Temco GreenDisc  
For texturing processes

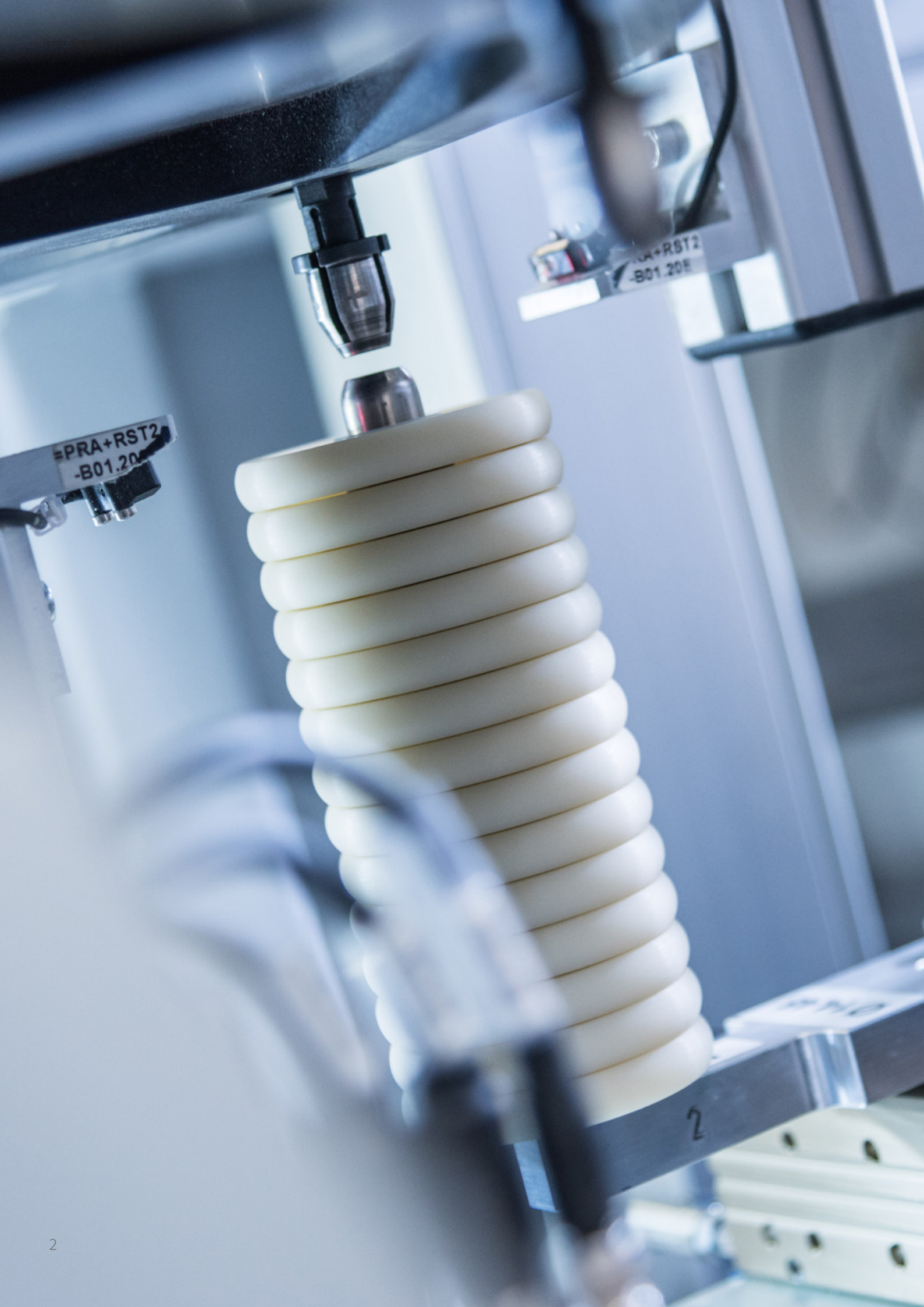
**TEMCO**

# GreenDisc

The sustainable disc for DTY processes



The benchmark –  
now sustainable



# Temco GreenDisc

## Sustainability in the texturing process

In texturing, discs are the key components for successful and profitable yarn production. By developing PU material, optimizing yarn path geometry and maintaining tight tolerances in manufacturing and quality control, the new GreenDisc adds sustainability as a feature.

Temco's sophisticated design and valuable market experience gives the GreenDisc a unique quality. While maintaining process stability and product quality, Temco's GreenDisc makes a significant contribution to sustainability in the textile industry.



# GreenDisc

## OUTSTANDING

### ADVANTAGES

Optimum Yarn  
Path Geometry

Market-Leading  
Quality

Highest Quality at  
Maximum Texturing  
Speeds







Only Sustainable  
Texturing Disc Worldwide

Monetary  
Cost Benefits

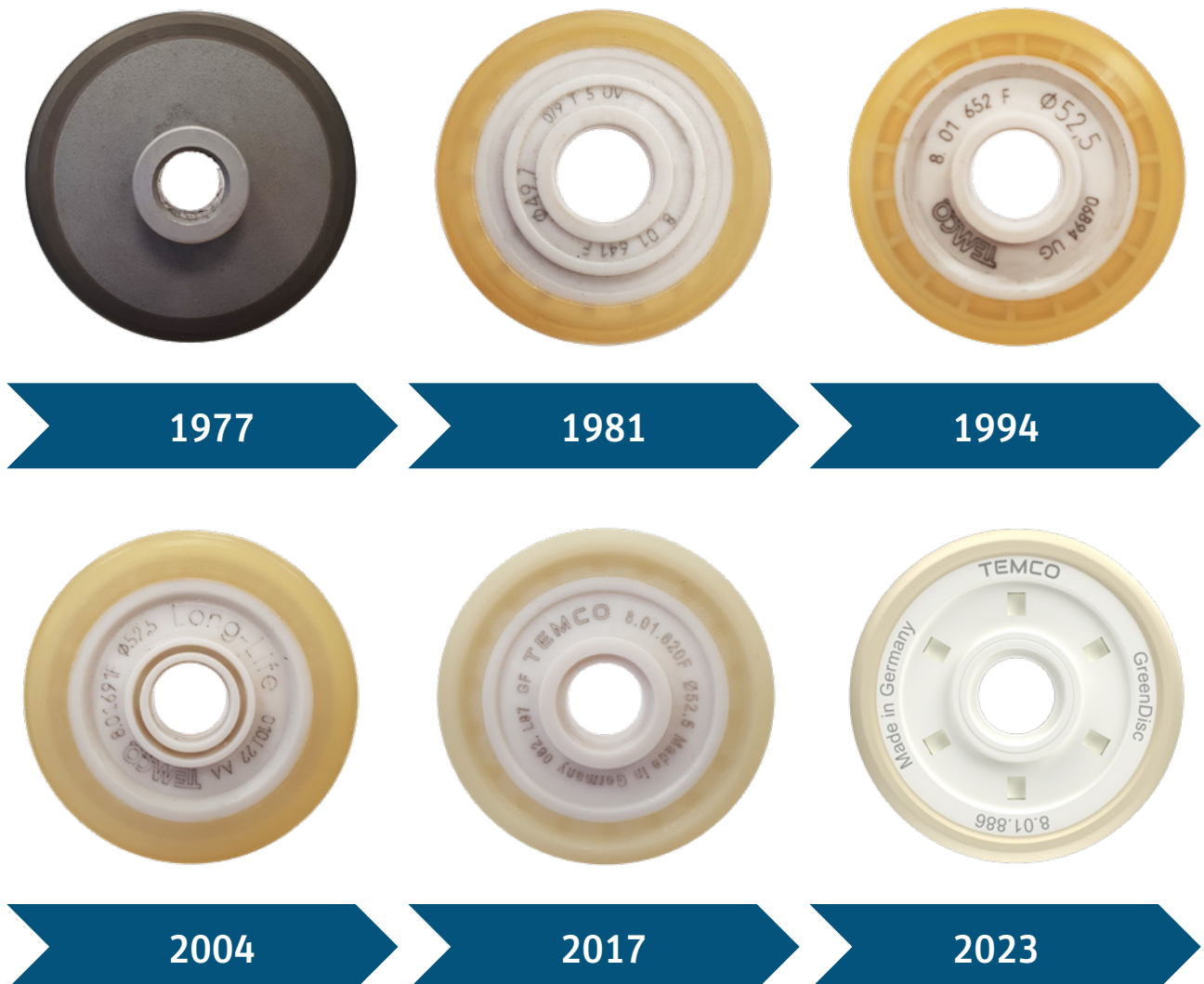
Best Product Properties  
Combined with  
Sustainability and Effort  
Savings

# History of Temco's Texturing Discs

## Development of a small disc

The history of the Temco Texturing disc began back in 1977. Until today it is the most successful and best-selling Temco product. Over the years, there have been different variants – continuously adapted to the industry-specific requirements in the texturing sector. Highlights were especially the Longlife disc, which stood out with an improved lifetime and the CoolFlow disc, with its unique temperature-optimized surface.

With GreenDisc, Temco is setting new standards for a sustainable textile value chain. GreenDisc combines the high Temco quality of the Texturing disc, proven for over 50 years, with indispensable sustainable aspects of our time.



## Temco, the expert for DTY

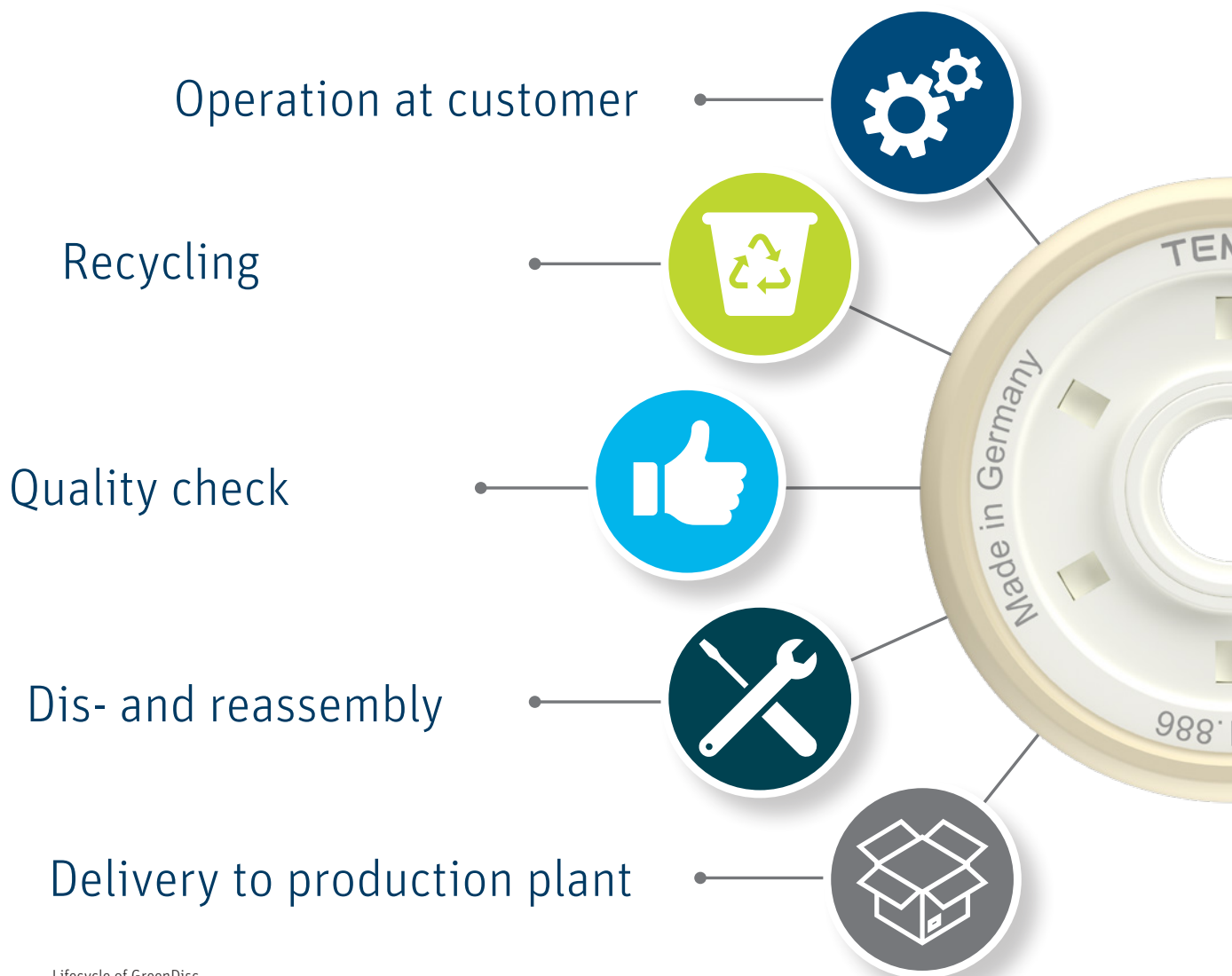
Temco is the expert for DTY applications. In addition to its long experience with friction discs, the company has developed many products over the decades that have become essential to the texturing process. These include the following products in particular: FTS Aggregate , Nip rollers, VR Separator rollers, Twist stopper, Bearing assemblies and Guide rollers. The products are used in the texturing process of various yarn types from 50 to 300 dtex.



# The Benchmark – Now Sustainable

## Technical Expertise

- Time-tested quality of the Temco PU disc
- Carrier and PU ring can be separated (3 individual parts)
- Carrier material is recycled and reintroduced into the process
- PU ring is disposed of sustainably
- Disc is now separable from the carrier
- Stable texturing process
- Yarn quality remains constantly at the highest level

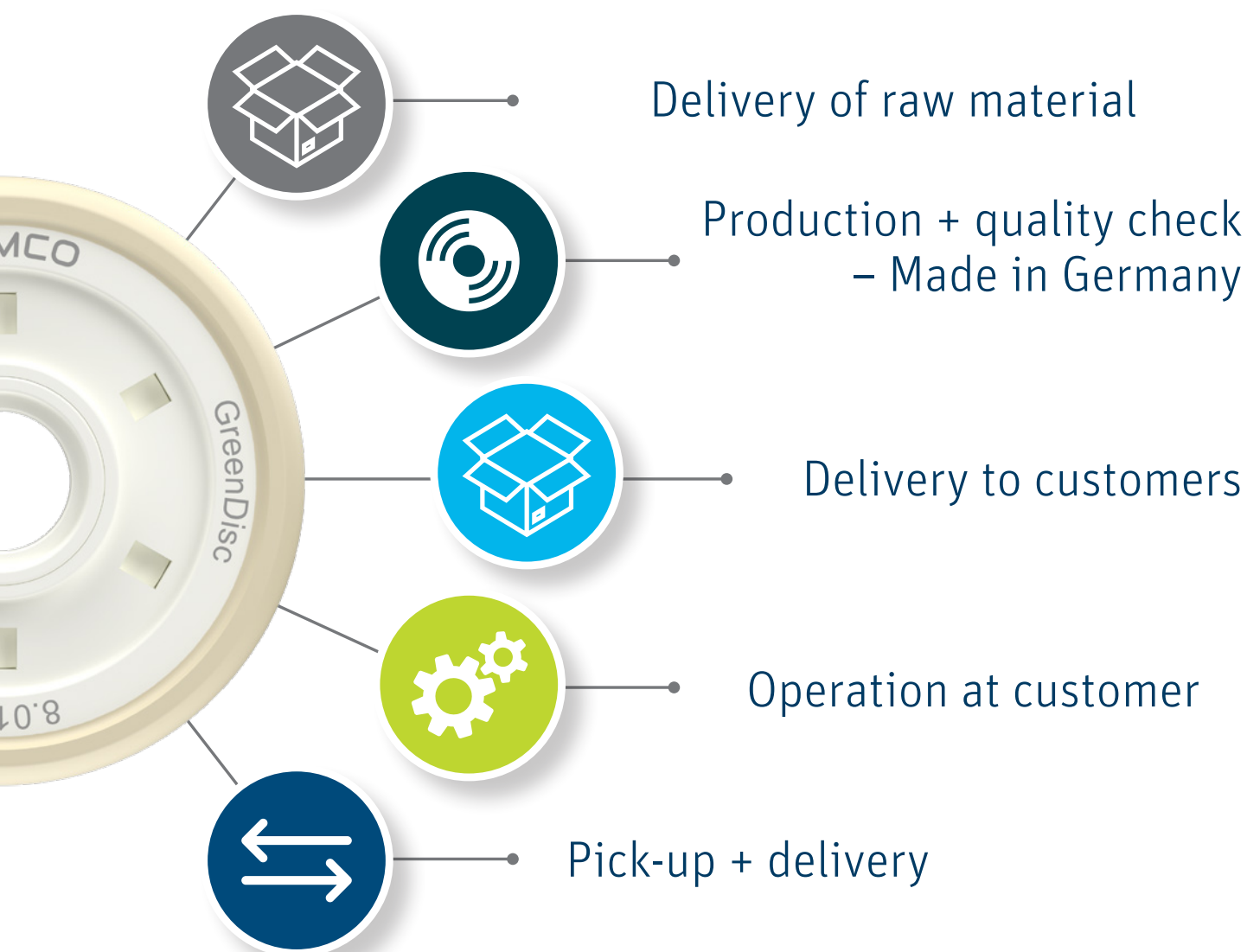


Lifecycle of GreenDisc



## Product USP's

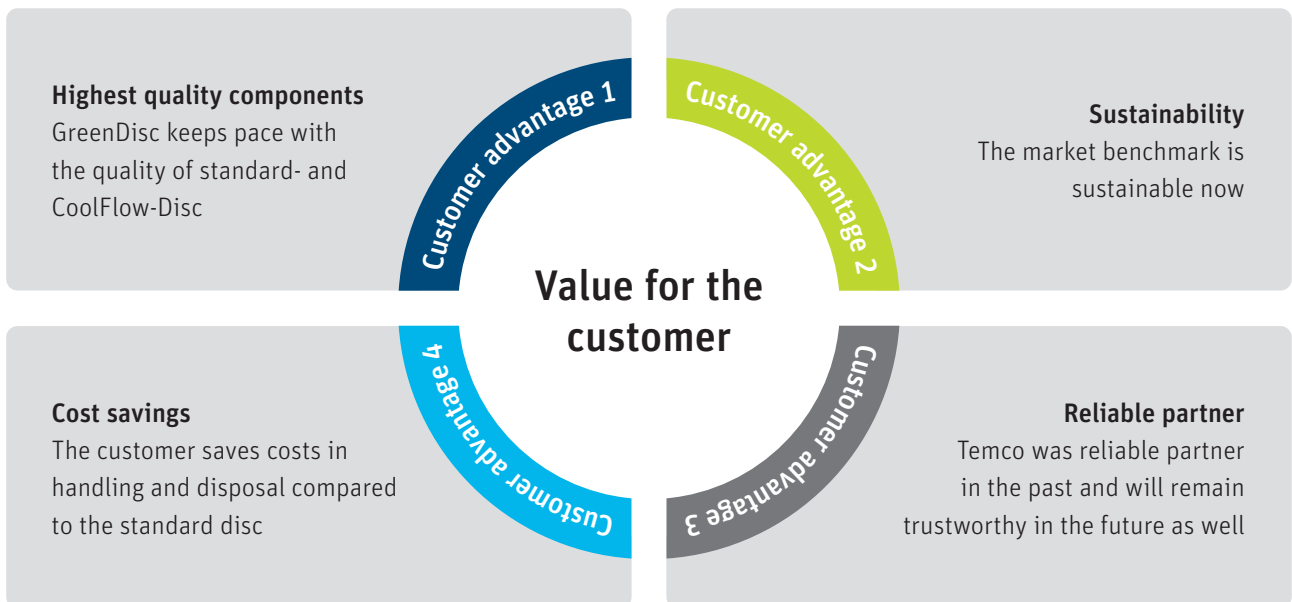
- Twist level and stability
- Yarn tensile performance
- Yarn bulk and elasticity
- Low process and machine CV
- Lateral grinding for higher precision
- Compliance with tight tolerances during production
- Highest quality of textured yarns at high texturing speeds



# GreenDisc – New Era of Texturing Discs

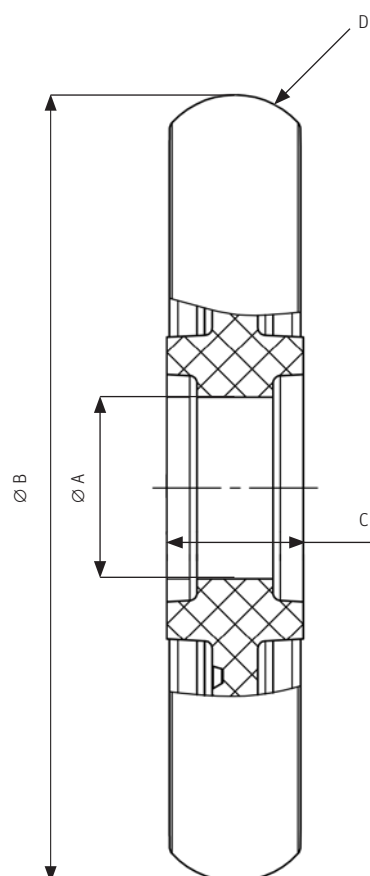
## Customer benefits

- Less handling and storage costs
- Less trash taxes
- Shorter delivery times
- Through Temco products, customers contributes to more sustainable yarn production
- Unique product in the global textile market
- Sustainability concept
- 100 % quality control
- Grinding process well established
- Automation improves error rate
- Stock building at Logistic-Centers
- Stable quality
- Sustainable disposal
- Quality “Made in Germany”



Customer value proposition

## Product figure GreenDiscs



## Product overview GreenDisc

Product	Profile application D <sup>1</sup>	Material hardness <sup>2</sup>	Width C [mm]	Outer diameter Ø B [mm]	Bore diameter Ø A [mm]	Type
8.01.886F	C	F	9	52.0	12.0	GreenDisc
8.01.896F	C	F	9	52.5	12.0	GreenDisc

<sup>1</sup>Type of profile:

C = high bulk, D = high speed

<sup>2</sup>Type of material:

F = 86 Shore A

**Rieter Components Germany GmbH**

Temco  
Fuldaer Strasse 19  
97762 Hammelburg  
Germany  
T +49 (0)9732 87 0  
info@temco.de

[www.temco.de](http://www.temco.de)



The data and illustrations in this brochure and on the corresponding data carrier refer to the date of printing. Temco reserves the right to make any necessary changes at any time and without special notice. Temco systems and Temco innovations are protected by patents.

3609-v1 en 2306