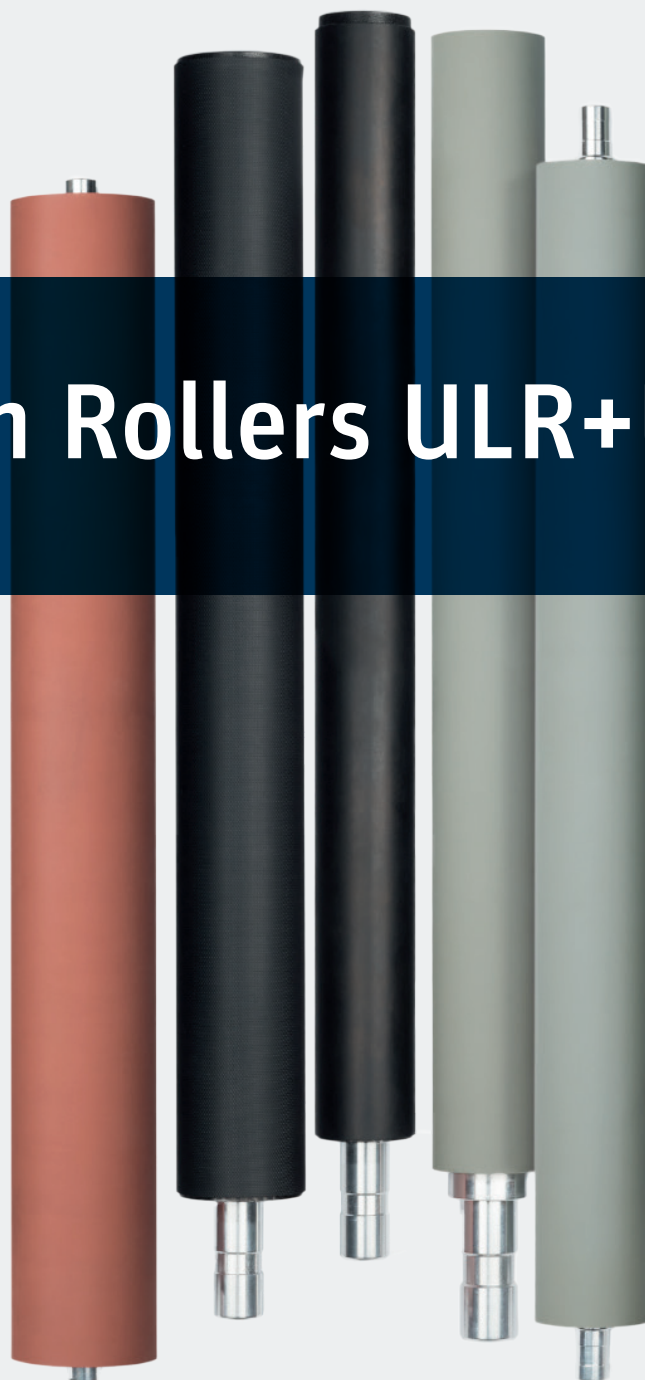


Deflection rollers ULR+ULW  
Product range

**TEMCO**

# Deflection Rollers ULR+ULW

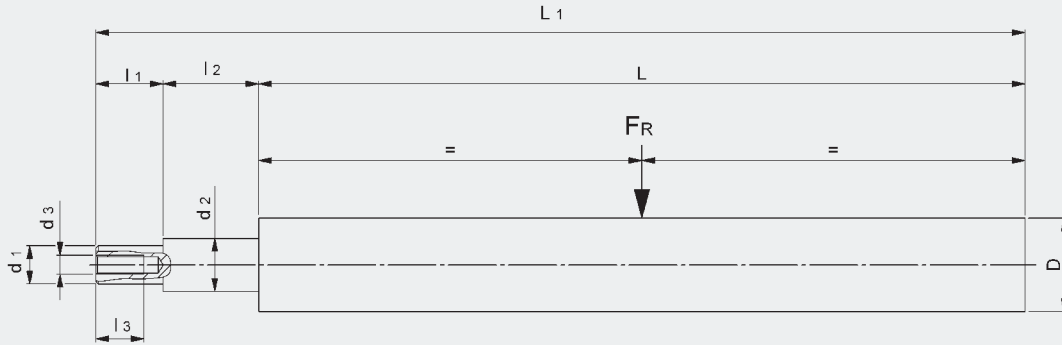
Types, sizes, surfaces



Leading the way

# Deflection Rollers ULR

## Figures and overview

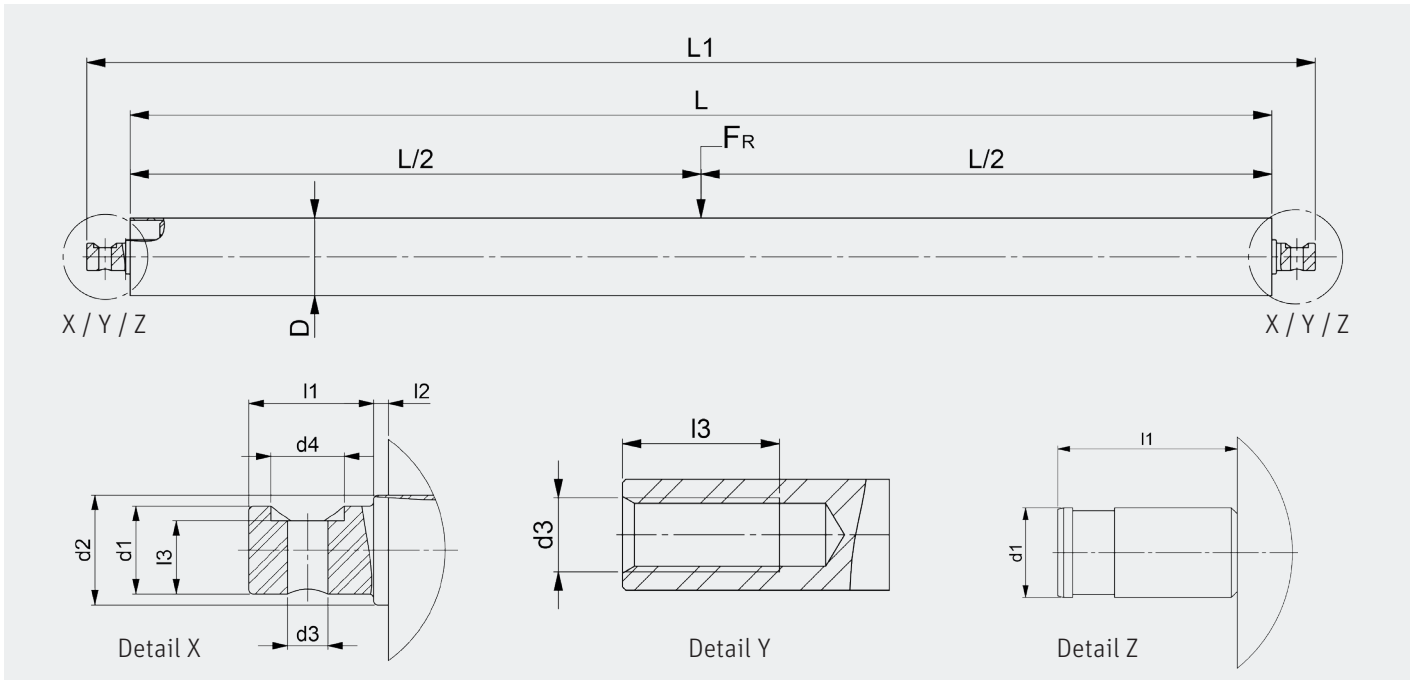


| Type                        | $v_{max}$<br>[m/min] | Shell                  |           |           |          | Adaptor       |               |               |               |               |               |               |              |               |
|-----------------------------|----------------------|------------------------|-----------|-----------|----------|---------------|---------------|---------------|---------------|---------------|---------------|---------------|--------------|---------------|
|                             |                      | Radial run-out<br>[mm] | D<br>[mm] | L<br>[mm] | Material | Coat          | $d_1$<br>[mm] | $l_1$<br>[mm] | $d_2$<br>[mm] | $l_2$<br>[mm] | $d_3$<br>[mm] | $l_3$<br>[mm] | Material     | $L_1$<br>[mm] |
| ULR28150-E-01 <sup>1</sup>  |                      |                        | 28        | 150       | Alu      |               |               |               |               |               | M6            | 12.0          |              |               |
| ULR28150-E-01 <sup>1</sup>  | 100                  |                        | 28        | 150       | Alu      |               |               |               |               |               | M6            | 12.0          | Alu          | 158.0         |
| ULR30250-00 <sup>1</sup>    | 440                  | 0.015                  | 30        | 250       | CFRP     |               |               |               |               |               |               |               | Alu          | 355.0         |
| ULR34250-06                 | 750                  |                        | 34        | 250       | CFRP     |               |               | Ø29.6         | 25.0          | M8            | 20.0          |               | Alu          | 275.0         |
| ULR34250-07                 | 750                  |                        | 34        | 250       | CFRP     |               | M12           | 15.0          | SW24          | 125.0         |               |               | Steel        | 390.0         |
| ULR34250-08                 | 750                  |                        | 34        | 250       | CFRP     | XP 0198       |               | Ø29.6         | 25.0          | M8            | 20.0          |               | Alu          | 275.0         |
| ULR34250-09                 | 750                  |                        | 34        | 250       | CFRP     | XP 0198       | M12           | 15.0          | SW24          | 125.0         |               |               | Steel        | 390.0         |
| ULR34250-10                 | 750                  |                        | 34        | 250       | CFRP     |               | Ø18.0         | 45.0          | Ø21.0         | -1.5          | M8            | 20.0          | Alu          | 293.5         |
| ULR34250-11                 | 750                  |                        | 34        | 250       | CFRP     | XP 0198       | Ø18.0         | 45.0          | Ø21.0         | -1.5          | M8            | 20.0          | Alu          | 293.5         |
| ULR34250-15 <sup>1</sup>    | 750                  |                        | 34        | 250       | CFRP     |               | Ø18.0         | 75.0          | Ø21.0         | -1.5          | M8            | 20.0          | Alu          | 323.5         |
| ULR34300-02-HP <sup>1</sup> | 700                  | 0.2                    | 34        | 300       | CFRP     |               | Ø29.6         | 20.5          |               |               | M10           | 20.5          | Alu          | 325.0         |
| ULR34400-02                 | 650                  |                        | 34        | 400       | CFRP     |               | Ø18.0         | 45.0          | Ø29.6         | -1.5          | M8            | 20.0          | Alu          | 443.5         |
| ULR34400-E-03               | 385                  |                        | 34        | 400       | CFRP     |               |               | Ø30.0         | 15.0          | M8            | 16.0          |               | Alu          | 415.0         |
| ULR36400-E-00 <sup>1</sup>  | 400                  |                        | 36        | 400       | Alu      | anodized      |               |               |               |               |               |               |              | 400.0         |
| ULR39220-E-01 <sup>1</sup>  | 440                  |                        | 39        | 220       | Alu      | hard-anodized | Ø16.0         | 28.0          | Ø22.0         | 81.0          | M8            | 20.0          | Steel        | 329.0         |
| ULR39320-E-01 <sup>1</sup>  | 440                  |                        | 39        | 320       | Alu      | hard-anodized | Ø16.0         | 28.0          | Ø22.0         | 31.0          | M8            | 20.0          | Steel        | 379.0         |
| ULR44200-02                 | 450                  |                        | 44        | 200       | CFRP     |               | Ø20.0         | 50.0          | Ø29.6         | 10.0          | M8            | 20.0          | Alu          | 260.0         |
| ULR44250-04 <sup>1</sup>    | 550                  |                        | 44        | 250       | CFRP     |               | M12           | 15.0          | SW24          | 125.0         |               |               | Steel        | 390.0         |
| ULR44250-11 <sup>1</sup>    | 700                  |                        | 44        | 250       | CFRP     |               | Ø18.0         | 45.0          | Ø23.5         | 23.5          | M8            | 20.0          | Alu          | 318.5         |
| ULR44250-12 <sup>1</sup>    | 700                  |                        | 44        | 250       | CFRP     | XP 0198       | Ø18.0         | 45.0          | Ø23.5         | 23.5          | M8            | 20.0          | Alu          | 318.5         |
| ULR44300-02                 | 450                  |                        | 44        | 300       | CFRP     |               | Ø20.0         | 50.0          | Ø29.6         | 10.0          | M8            | 20.0          | Alu          | 360.0         |
| ULR44400-05 <sup>1</sup>    | 650                  |                        | 44        | 400       | CFRP     |               | Ø18.0         | 45.0          | Ø29.6         | -1.5          | M8            | 20.0          | Alu          | 443.5         |
| ULR44400-06 <sup>1</sup>    | 650                  |                        | 44        | 400       | CFRP     | XP 0198       | Ø18.0         | 45.0          | Ø29.6         | -1.5          | M8            | 20.0          | Alu          | 443.5         |
| ULR60320-00                 | 700                  |                        | 60        | 320       | CFRP     |               | 54.5          | 22.0          |               |               | M12           | 22.0          | Alu          | 342.0         |
| ULR60300-01 <sup>1</sup>    | 700                  | 0.2                    | 60        | 300       | CFRP     |               | Ø54.5         | 22.0          |               |               | M12           | 22.0          | ALU          | 322.0         |
| ULR60440-05                 | 450                  |                        | 60        | 440       | Alu      | hard-anodized | Ø25.0         | 15.5          | Ø35.0         | 120.0         | M12           | 24.0          | Alu anodized | 570.0         |

<sup>1</sup> Acceptance only with minimum quantity

# Deflection Rollers ULW

## Figures and overview



| Type          | Shell             |                           |           |           | Adaptor  |               |               |               |               |               |               |               |               |          | $v_{max}$<br>[m/min] |               |
|---------------|-------------------|---------------------------|-----------|-----------|----------|---------------|---------------|---------------|---------------|---------------|---------------|---------------|---------------|----------|----------------------|---------------|
|               | $F_{Rmax}$<br>[N] | Radial<br>run-out<br>[mm] | D<br>[mm] | L<br>[mm] | Material | Coat          | $d_1$<br>[mm] | $l_1$<br>[mm] | $d_2$<br>[mm] | $l_2$<br>[mm] | $d_3$<br>[mm] | $l_3$<br>[mm] | $d_4$<br>[mm] | Material |                      | $L_1$<br>[mm] |
| ULW34160-00   | 100               | 0.2                       | 34        | 160       | CFRP     |               | Ø12.0         | 18            | Ø15.0         | 2.0           |               |               |               | Alu      | 200.0                | 600           |
| ULW34220-01   | 100               | 0.2                       | 34        | 220       | CFRP     |               | Ø13.0         | 60.5          | Ø15.0         |               | 6.5           | 13.0          | 6.5           | Alu      | 327.0                | 600           |
| ULW34320-02   | 100               | 0.2                       | 34        | 320       | CFRP     |               | Ø12.0         | 18            | Ø15.0         | 2.0           |               |               |               | Alu      | 360.0                | 600           |
| ULW34500-02   | 100               | 0.2                       | 34        | 500       | CFRP     |               | Ø12.0         | 18            | Ø15.0         | 2.0           |               |               |               | Alu      | 540.0                | 600           |
| ULW34500-04   | 100               | 0.2                       | 34        | 500       | CFRP     |               | Ø12.0         | 17            | Ø15.0         | 2.0           | 5.5           | 10.0          | 10.0          | Alu      | 538.0                | 600           |
| ULW34500-05   | 100               | 0.2                       | 34        | 500       | CFRP     |               | Ø12.0         | 37            | Ø15.0         | 2.0           | 5.5           | 10.0          | 10.0          | Alu      | 578.0                | 600           |
| ULW35920-02   | 100               | 0.2                       | 35        | 920       | CFRP     |               | Ø12.0         | 37            | Ø15.0         | 2.0           | 5.5           | 10.0          | 10.0          | Alu      | 998.0                | 500           |
| ULW40900-00   | 120               | 0.4                       | 40        | 900       | Alu      | anodized      | Ø15.0         | 30            |               |               |               |               |               | Alu      | 960.0                | 400           |
| ULW44600-00   | 100               | 0.2                       | 44        | 600       | CFRP     |               | Ø15.0         | 30            |               |               |               |               |               | Alu      | 660.0                | 600           |
| ULW44800-01   | 100               | 0.2                       | 44        | 800       | CFRP     |               | Ø12.0         | 17            | Ø15.0         | 2.0           | 5.5           | 10.0          | 10.0          | Alu      | 838.0                | 600           |
| ULW44800-03   | 100               | 0.2                       | 44        | 800       | CFRP     |               | Ø15.0         |               |               |               |               |               |               | Alu      | 860.0                | 600           |
| ULW441080-00  | 100               | 0.2                       | 44        | 1080      | CFRP     |               | Ø15.0         | 30            |               |               |               |               |               | Alu      | 1140.0               | 600           |
| ULW60530-00   | 200               | 0.3                       | 60        | 530       | CFRP     |               | Ø12.0         | 18            | Ø20.0         | 2.0           |               |               |               | Alu      | 570.0                | 700           |
| ULW60530-01   | 200               | 0.3                       | 60        | 530       | CFRP     | XP0198        | Ø12.0         | 18            | Ø20.0         | 2.0           |               |               |               | Alu      | 570.0                | 700           |
| ULW601000-00  | 200               | 0.3                       | 60        | 1000      | CFRP     |               | Ø25.00/SW22   | 10.0          | Ø30.0         | 3.0           | M8            | 17.0          |               | Alu      | 1030.0               | 700           |
| ULW601000-01  | 200               | 0.3                       | 60        | 1000      | CFRP     | PC915S        | Ø25.00/SW22   | 10.0          | Ø30.0         | 3.0           | M8            | 17.0          |               | Alu      | 1030.0               | 700           |
| ULW1201000-00 | 200               | 0.025                     | 120       | 1000      | Alu      | hard-anodized | Ø15.0         | 29.5          | Ø30.0         | 18.7          | M6            |               |               | Alu      | 1063.0               | 250           |



**Rieter Components Germany GmbH**

Temco  
Fuldaer Str. 19  
97762 Hammelburg  
T +49 9732 87 0  
info@temco.de

[www.temco.de](http://www.temco.de)

The data and illustrations in this brochure and on the corresponding data carrier refer to the date of printing. Temco reserves the right to make any necessary changes at any time and without special notice. Temco systems and Temco innovations are protected by patents.

3506-v1 en 2205